



# Allen BirdCam Bird Feeder Plan

---

The plans for the Allen BirdCam bird feeder are made available in order for all feeder enthusiasts to be able to consider this design.

This bird feeder design is suitable for all small to medium birds and is sturdy enough to even accommodate fairly large birds.

The main bar goes through the walls of the feeder container and through the vertical bars. The spikes are used to hold items such as fruit.

It is recommended that a hard weather resistant wood be used. Please use slats with a width of about 50mm at the bottom of the feeder with gaps of about 5mm in between in order to prevent the feeder from filling up and for easy cleaning. When fine foods such as seeds or wet foods are offered, it is recommended to use inner trays or containers to make cleaning easy and to prevent foods from entering or falling through the gaps between the slats.

Please contact [allenbirdcam@gmail.com](mailto:allenbirdcam@gmail.com) with any questions and share pictures of your feeder to our Facebook group.

<https://www.facebook.com/groups/149636385234692/>

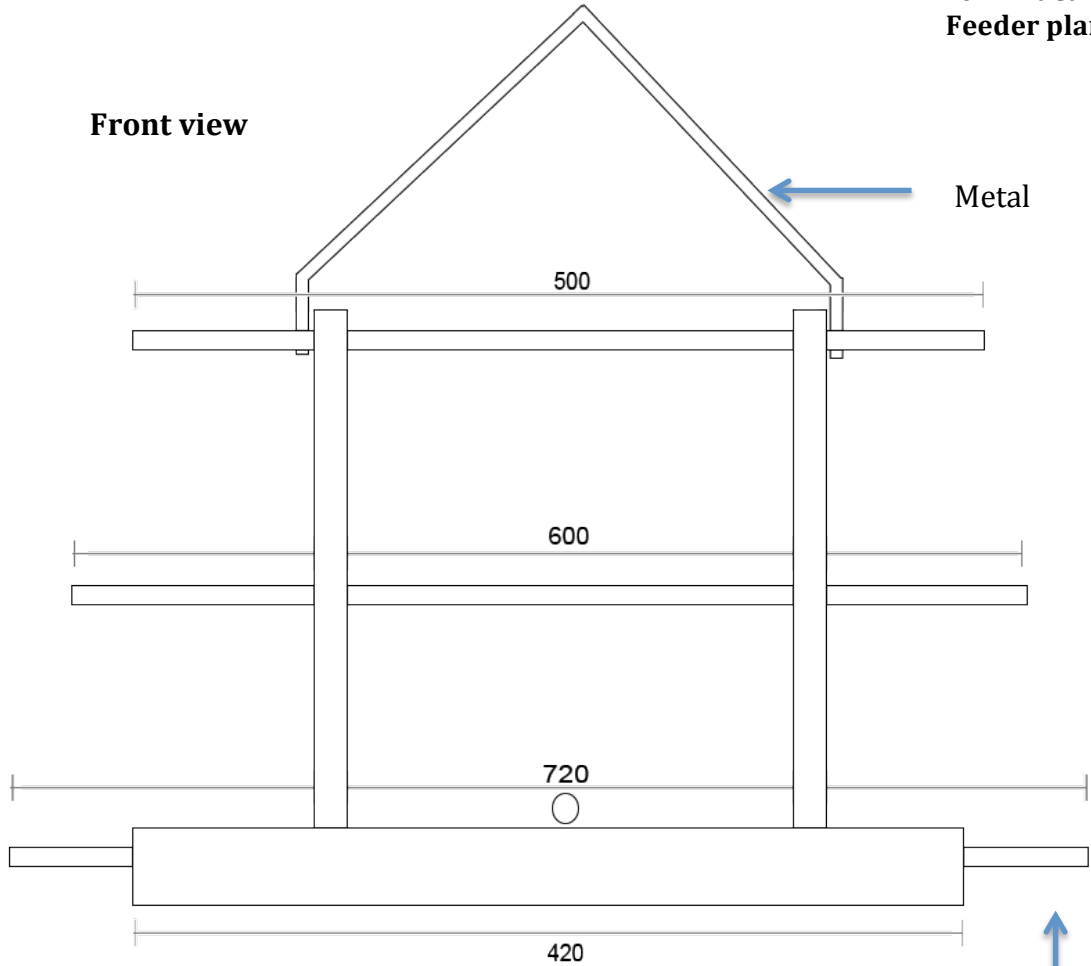
[www.AllenBirdCam.com](http://www.AllenBirdCam.com)

Happy feeding!

\*The design of this feeder is the intellectual property of Allen BirdCam, it is for private use only.

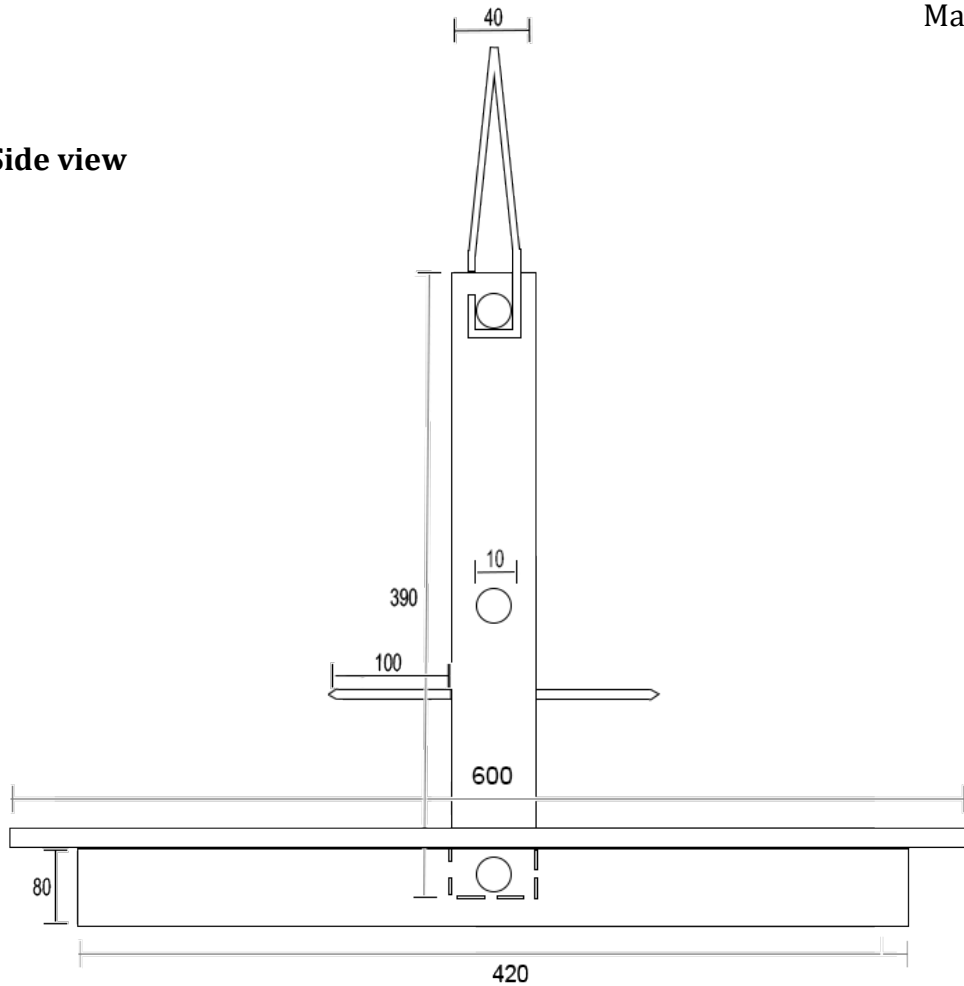


Front view



Everything else is wood.

Side view



\*Measurements are in millimeters.